

BEVERAGE COOLER





INDEX

| | |
|--|---|
| General information..... | 3 |
| General use..... | 3 |
| Technical data | 3 |
| Installation and maintenance | 4 |
| Trouble shooting..... | 5 |
| Exploded view and spare parts list | 6 |
| Wiring diagram | 8 |
| Standards and directives | 9 |
| Packaging and device disposal | 9 |



GENERAL INFORMATION

The purpose of this document is to provide important information regarding the installation, use and maintenance of the cooler.

Before any operation, you should read carefully the information contained in this manual.

The manufacturer assumes no liability for parts or labour coverage for component failure or other damages resulting from improper usage, installation or failure to clean and / or maintain product as set forth in these instructions.

GENERAL USE

ATTENTION :

The cooler is not designed for external (outdoor) placement or environments that subject it to the actions of atmospheric agents (rain, direct sun light)

The manufacturer is not responsible for damages resulting from the improper use of the product.

This appliance can be used by children aged from 8 years and above and persons with reduced physical, sensory or mental capabilities or lack of experience and knowledge if they have been given supervision or instruction concerning use of the appliance in a safe way and understand the hazards involved. Children shall not play with the appliance. Cleaning and user maintenance shall not be made by children without supervision.

If the supply cord is damaged, it must be replaced by the manufacturer, its service agent or similarly qualified persons in order to avoid a hazard.

- **WARNING: Keep ventilation openings, in the appliance enclosure or in the built-in structure, clear of obstruction.**
- **WARNING: Do not use mechanical devices or other means to accelerate the defrosting process, other than those recommended by the manufacturer.**
- **WARNING: Do not damage the refrigerant circuit.**
- **WARNING: Do not use electrical appliances inside the food storage compartments of the appliance, unless they are of the type recommended by the manufacturer.**

Do not Store explosive substances such as aerosol cans with a flammable propellant in this appliance.

TESTING

The cooler is shipped ready for use.

The temperature control is preset from the factory.

As needed, the temperature control can be adjusted Clock-wise to make the product "Colder", the control can be adjusted Counter Clockwise to make the product "Warmer"

RESPONSIBILITY OF THE CUSTOMER

Ensure that the electrical outlet is connected effectively to earth (ground), suitable to provide the voltage indicated on the data plate.

Make sure that the cooler is placed on a level surface.

TECHNICAL DATA

| Modele | Voltage (V) | Power (W) | Product Dimension (mm) | Package (mm) |
|---------|---------------|-----------|------------------------|----------------|
| VBC105C | 220-240V/50Hz | 125w | 403*455*1505mm | 450*495*1580mm |

MATERIALS AND REFRIGERANTS

Interior or exterior surfaces that come into contact with the product are made of galvanized steel, aluminium or non-toxic plastic materials. The refrigerant used is approved by government regulations.

The type and quantity of the gas charged, in the refrigeration unit, is indicated on the data plate.



INSTALLATION

For safe proper operation, follow the manufacturers instructions reported in this section.

POSITIONING

The cooler must be placed in an adequately ventilated room. Keep away from heat sources, such as radiators or air conditioning pipes.

Allow free air circulation to the refrigerator unit.

The ambient temperature must not be higher than 30°C.

This appliance climate class is 4,5

| Test room climate class | Dry bulb temperature °C | Relative humidity % | Dew point °C | Water weight in dry air g/kg |
|-------------------------|-------------------------|---------------------|--------------|------------------------------|
| 0 | 20 | 50 | 9.3 | 7.3 |
| 1 | 16 | 80 | 12.6 | 9.1 |
| 2 | 22 | 65 | 15.2 | 10.8 |
| 3 | 25 | 60 | 16.7 | 12 |
| 4 | 30 | 55 | 20 | 14.8 |
| 5 | 40 | 40 | 23.9 | 18.8 |
| 6 | 27 | 70 | 21 | 15.8 |
| 7 | 35 | 75 | 30 | 27.3 |

Note: The maximum of shelf loading capacity is 13 Kg.

Cooler Levelling: To provide the best performance the cooler must remain level.

ELECTRICAL CONNECTION

WARNING DO NOT USE EXTENSION CORDS

The cooler works on single-phase voltage (220-240V/50Hz) power supply. To switch on the cooler, insert the plug into the outlet,

Ensure that:

The electrical outlet must be provided with an efficient ground, the voltage and the frequency of the electrical line matches those indicated on the data plate. If unsure about the efficiency of the ground, have your electrical circuit checked by qualified technician.

When the cooler is operating, check that the supply voltage is not dropping or increasing under/over +10% the rated voltage (187 Volts to 242Volts)

If the light is damaged, it must be replaced with a same size, power and shape one. and must be replaced by the manufacturer or its service agent

The manufacturer is not responsible for damages or accidents arising from the misuse or disregard of electrical laws relevant to the country where the cooler is used.

If LED lights broken down, maintenance should be done by supplier.

MAINTENANCE

- Before cleaning the cooler always remember to unplug it.
- Unplug the cooler at the electrical outlet; never pull the service cord.
- Do not use sharp objects for cleaning.
- Clean the inside cabinet of cooler with a clean damp cloth or with neutral soap. Avoid damage by never using abrasive or flammable cleaning products.
- Clean the condenser at least once a month with a vacuum cleaner or a brush to eliminate the dust accumulation.
- Do not wash the cooler with direct or high pressure water jets.



TROUBLE SHOOTING

Often problems that occur during normal operation can be resolved without the assistance of a specialized technician. Before calling the technical assistance, verify the following:

a) The appliance does not operate.

- Check that the plug is correctly inserted into the electrical outlet.
- Verify that there is voltage at the electrical outlet

b) The product is too warm.

- Check the setting of the thermostat. (See Testing Section)
- Check the closing of the door, and ensure door gasket seals.
- Check that the interior fan is operating, and not blocked.
- Check and clean the condenser

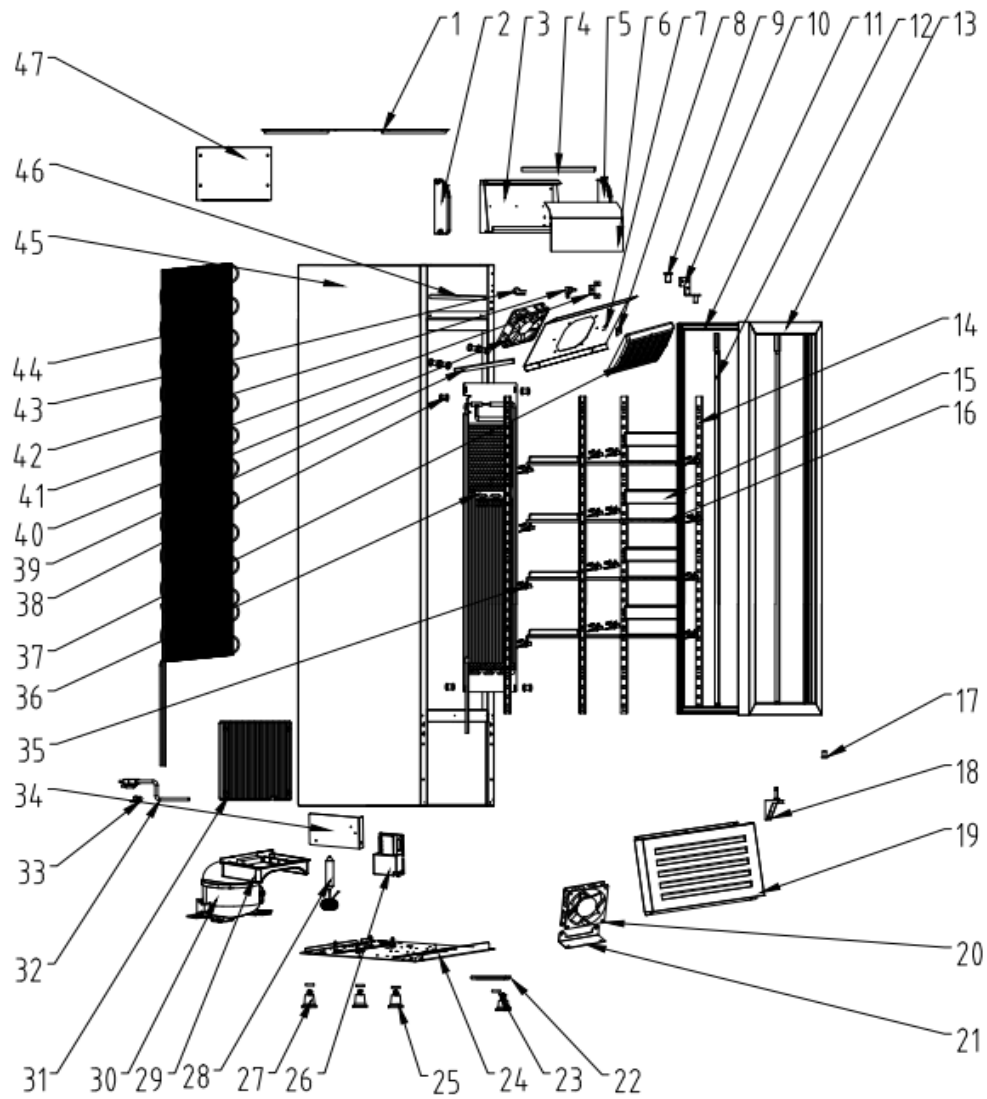
c) The appliance is excessively noisy.

- Verify the equipment is level.
- Ensure that the equipment is not touching other equipment that could cause vibration,

Prepare to answer the following:

- The type of problem: (electrical, mechanical)
- The model, code and serial number of the cooler can be found on the manufacturer label attached to the interior wall of the cooler.

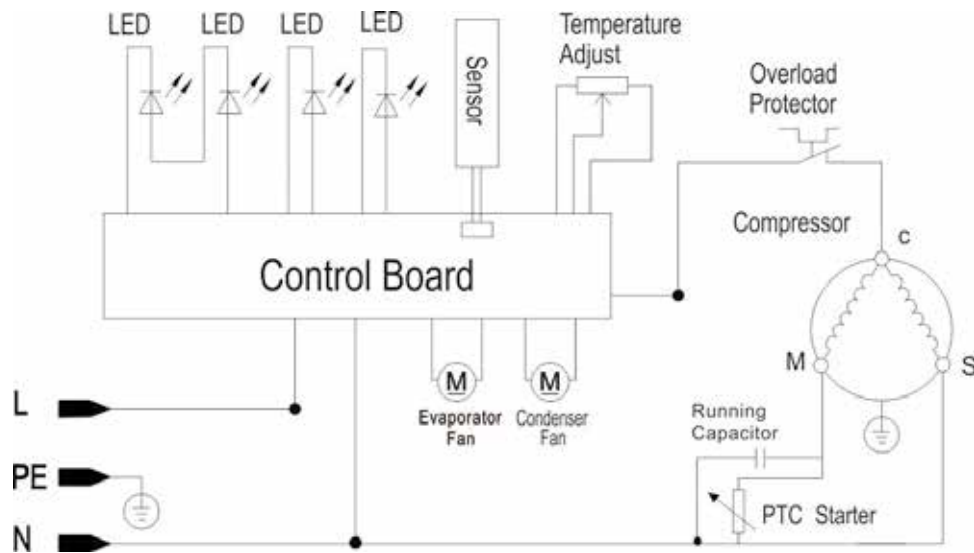
EXPLODED VIEW



SPARE PARTS LIST

| Item | Parts name in English | REF L2G | QUANTIT Y |
|------|--------------------------|------------|--------------|
| 1 | top panel | | 1 |
| 2 | left canopy cover | | 1 |
| 3 | canopy accessory | VBC125C-3 | 1 |
| 4 | canopy LED light | VBC125C-4 | 1 |
| 5 | right canopy cover | | 1 |
| 6 | canopy PVC cover | VBC125C-6 | 1 |
| 7 | fan board | | 1 |
| 8 | Temperature control tags | | 1 |
| 9 | door hinge | | 1 |
| 10 | upper hinge | | 1 |
| 11 | door gasket | VBC105C-11 | 1 |
| 12 | door LED light accessory | VBC105C-12 | 2 |
| 13 | glass door | VBC105C-13 | 1 |
| 14 | shelf holder | VBC105C-14 | 4 |
| 15 | price tag | VBC125C-15 | 4 |
| 16 | shelf | VBC125C-16 | 4 |
| 17 | down door hinge | | 1 |
| 18 | bottomer hinge | | 1 |
| 19 | front board | | 1 |
| 20 | condenser fan fix board | VBC125C-20 | 1 |
| 21 | condenser fan | | 1 |
| 22 | feet reinforcement | | 1 |
| 23 | front feet | | 1 |
| 24 | compressor board | | 1 |
| 25 | feet | | 3 |
| 26 | control board | | 1 |
| 27 | feet washer | | 4 |
| 28 | filter | VBC125C-29 | 1 |
| 29 | water tray | | 1 |
| 30 | compressor | VBC105C-30 | 1 |
| 31 | back grill | | 1 |
| 32 | power cable | | 1 |
| 33 | cable fixture | | 1 |
| 34 | power cord fix board | | 1 |
| 35 | shelf fix | | 16 |
| 36 | evaporator | VBC105C-37 | 1 |
| 37 | evaporator fan board | | 1 |
| 38 | evaporator mat | | 8 |
| 39 | cabinet LED lights | | 1 |
| 40 | evaporator fan | VBC125C-41 | 1 |
| 41 | temperature knob fixture | | 1 |
| 42 | temperature knob | VBC125C-43 | 1 |
| 43 | temperature sensor clip | VBC125C-44 | 1 |
| 44 | condenser accessory | | 1 |
| 45 | cabinet | | 1 |
| 46 | Canopy Support Panel | | 1 |
| 47 | Back panel | | 1 |

WIRING DIAGRAM



STANDARDS AND DIRECTIVES

Meaning of crossed out wheeled dustbin:

Do not dispose of electrical appliances as unsorted municipal waste, use separate collection facilities.

Contact your local government for information regarding the collection systems available.

If electrical appliances are disposed of in landfills or dumps, hazardous substances can leak into the groundwater and get into the food chain, damaging your health and well-being.

When replacing old appliances with new ones, the retailer is legally obligated to take back your old appliance for disposals at least free of charge.

The device complies with current EU standards and directives. If necessary, we will send you the corresponding declaration of conformity.

Packaging disposal

Please separate the packaging materials accordingly and return them to the responsible collection points for recycling and environmental housing.



Device disposal

once the appliance has been used up, dispose of it properly at a collection point for electrical appliances. Electrical appliances do not belong in household waste.

Your responsible administration will inform you about the addresses and opening hours of collection points. This is the only way to ensure that old appliances are properly disposed of and recycled. Thank you very much!





CE